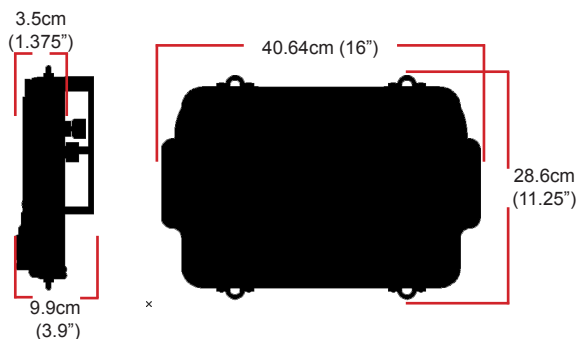




DIVE TABLET is an affordable solution for anyone that requires accurate underwater positioning. Using advanced dead reckoning or GPS **DIVE TABLET** allows operators to map underwater habitats, document archaeological sites, take geo-referenced photos and video, or simply navigate underwater.

DIVE TABLET's small size and rugged construction makes it a good fit for use on RHIBs and other surface vessels where it can be used for navigation, or to track and communicate with divers using the Sub-NET system.

Shark Marine's DiveLOG software provides a user friendly, intuitive interface managing all of the sensors and data, freeing the diver to focus on the dive.



Weight:
 - 4.5kg (10 lbs.) Dry
 - 0.44kg (0.7 lbs.) SW.



Duration:
 Internal Battery: up to 5 hours
 Optional External Batteries:
 Small: Up to 12 Hours Large: Up to 25 Hours
 * External Batteries are hot swappable

APPLICATIONS:

- Next Generation Nav Board.
- Coral Research.
- Underwater Archaeology.
- Habitat Mapping.
- 3D Photogrammetry.
- Geo-Referenced Photography.
- Underwater Navigation and Mapping.
- Rugged Topside Computer.
- Vessel Navigation.
- Track / Communicate with Divers using Shark Marine's Navigator or Mako System and Sub-NET.

FEATURES:

- Pinpoint Thumb Controls
- Internal GPS
- Internal HPR
- Depth / Temperature Sensor.
- Dead Reckoning
- DiveLOG Software
- 8 mp Camera
- 1080p Video Capture
- Internal Battery
- Dimmable Screen

OPTIONS:

- Floating GPS.
- Upgraded MRU.
- External Batteries.
- Sub-NET Communication system.